

2

3

4

5

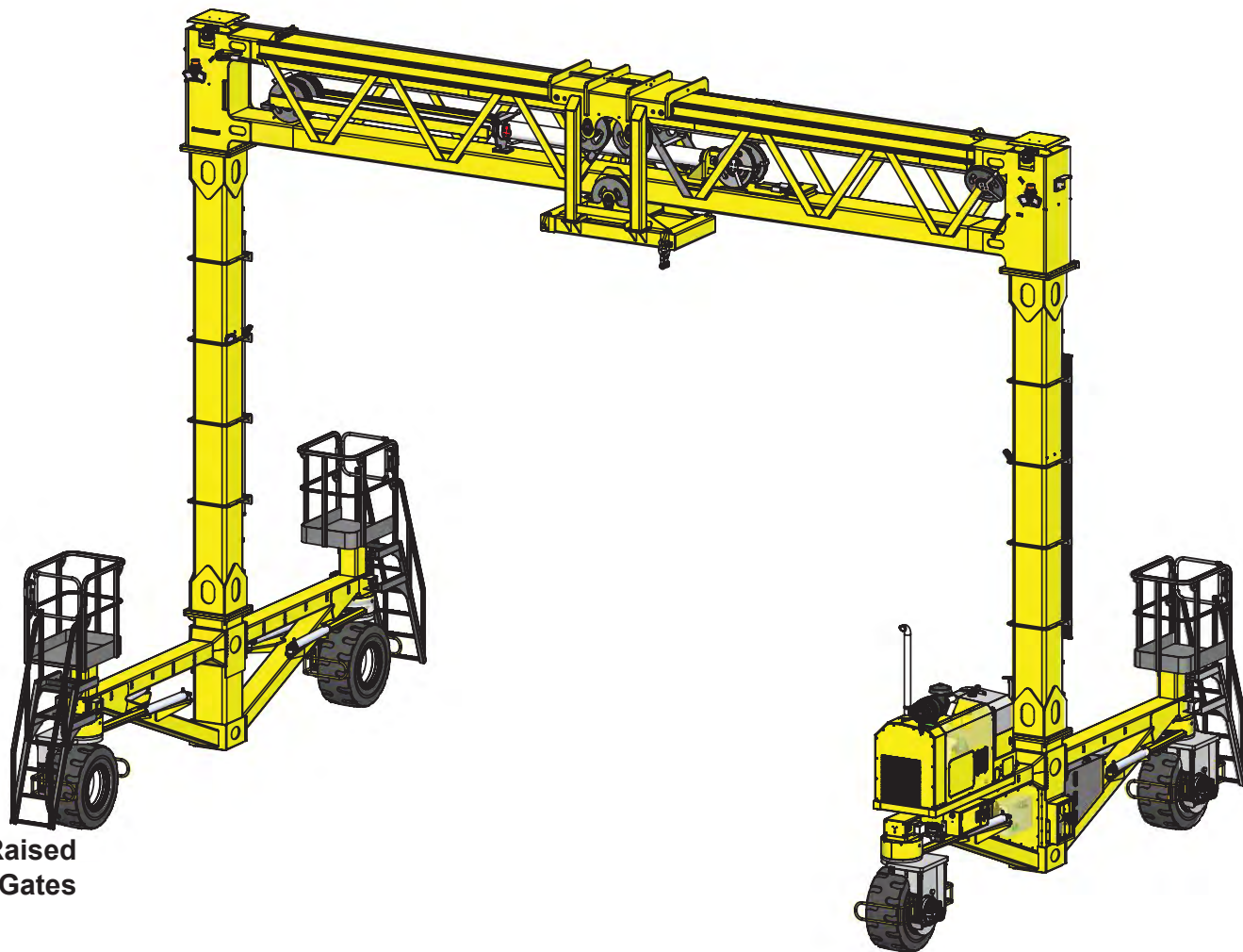
6

A

B

C

D



MACHINE SPECIFICATIONS

- 55kW Deutz Diesel Engine
- 2 Wheel Drive
- 2 Wheel Brake
- 4 Wheel Steer
- 4.8m Lift Stroke
- Multidirectional Steering
- Full Sideshift Left to Right
- Ability to Sideshift When Fully Raised
- Stand on Platforms With Safety Gates
- White Noise Alarms
- Condat D Fire Oil
- 25,000kg W.L.L.

Name: Combi MG PDH - 01

Drawn By: Connor_C

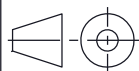
Date: 22/12/2023

Description:

PDH

Qty: 1

Sheet1 off 6



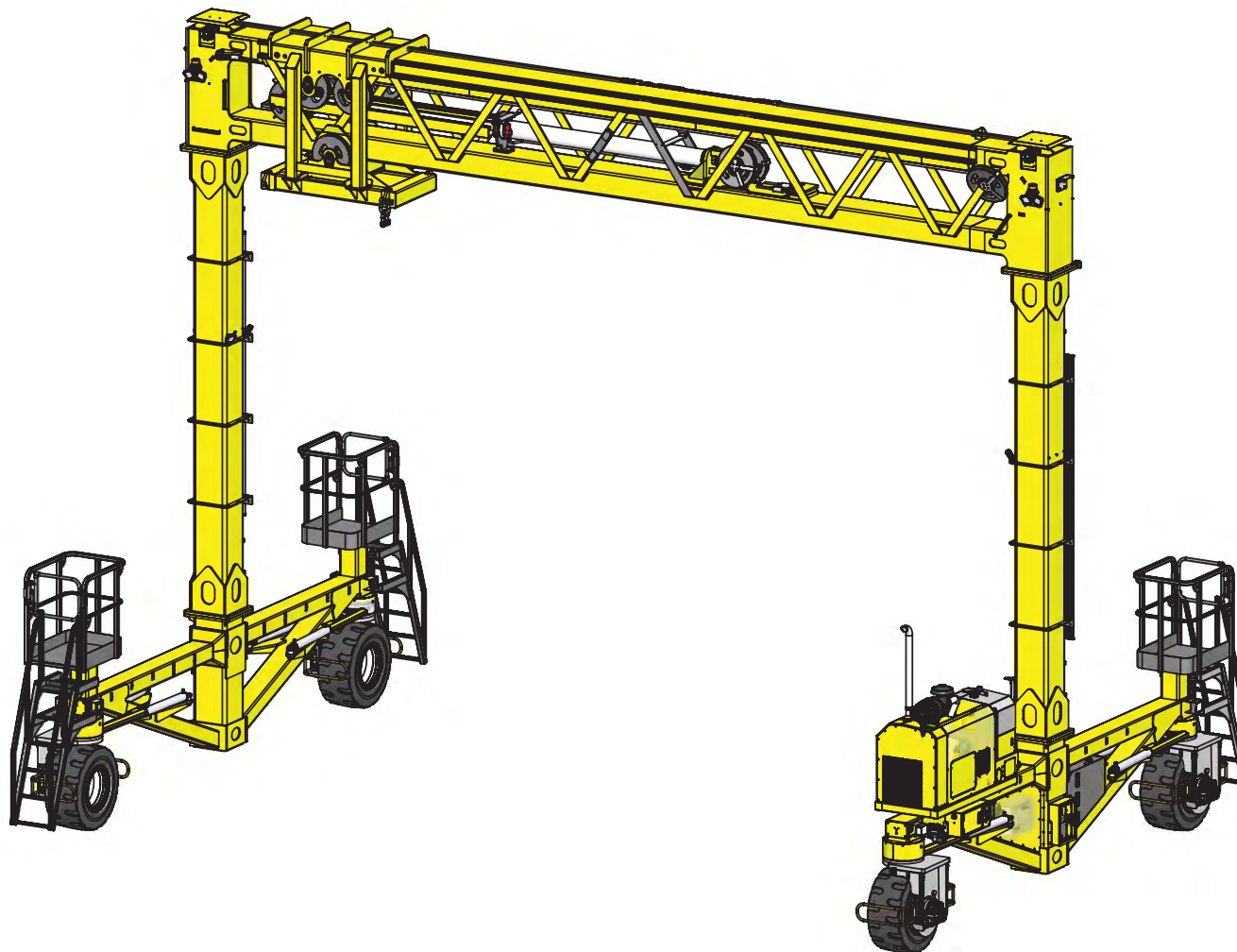
All Dimensions:
mm



Scale: N.T.S.

PROPRIETARY & CONFIDENTIAL
THE INFORMATION CONTAINED IN THIS
DRAWING IS THE SOLE PROPERTY OF
COMBLIFT LTD. ANY REPRODUCTION IN
PART OR AS A WHOLE WITHOUT THE
WRITTEN PERMISSION OF COMBLIFT LTD
IS STRICTLY PROHIBITED.





Name: Combi MG PDH - 01
 Drawn By: Connor_C
 Date: 22/12/2023

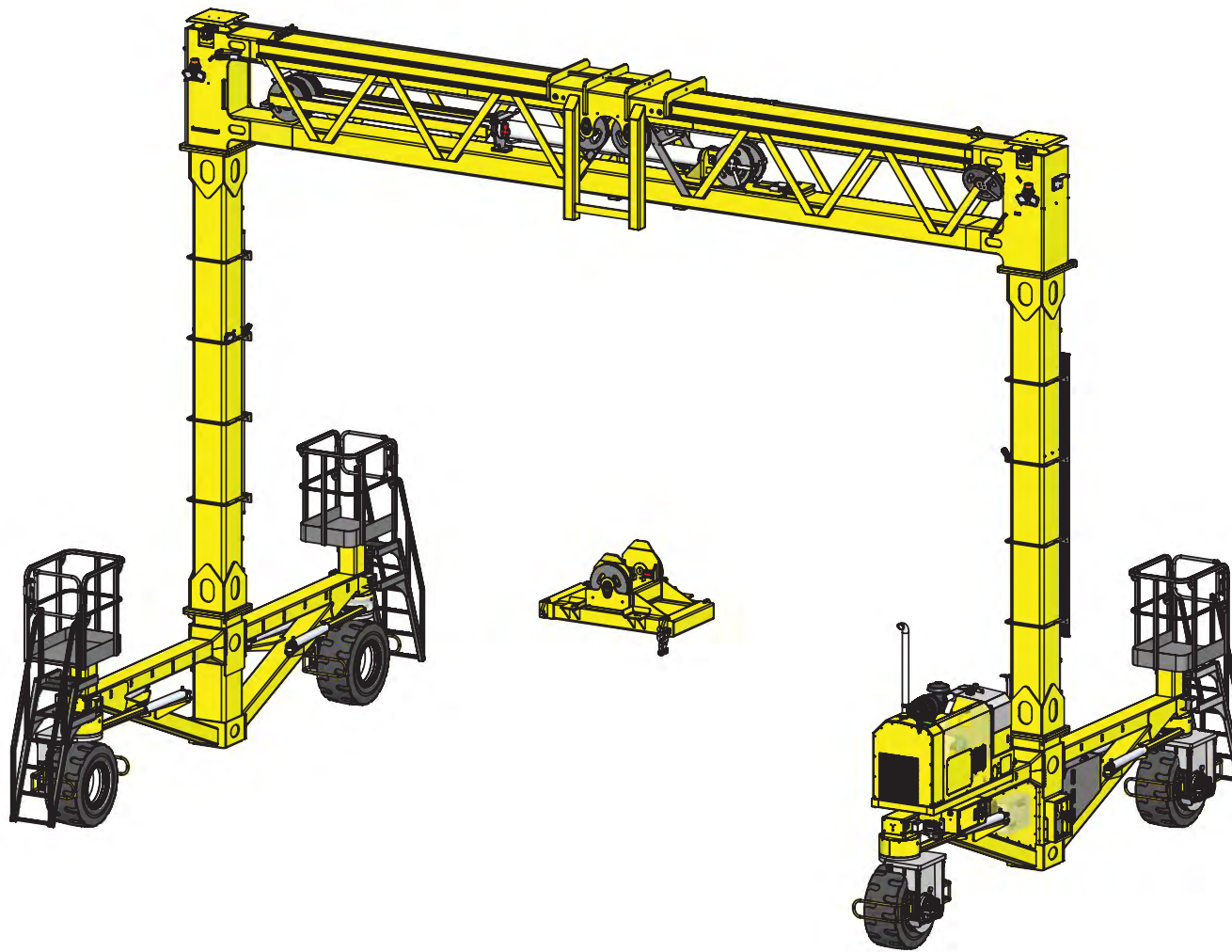
Description:
 PDH
 Qty: 1
 Sheet2 off 6

All Dimensions:
 mm



Scale: N.T.S.
 PROPRIETARY & CONFIDENTIAL
 THE INFORMATION CONTAINED IN THIS
 DRAWING IS THE SOLE PROPERTY OF
 COMBILIFT LTD. ANY REPRODUCTION IN
 PART OR AS A WHOLE WITHOUT THE
 WRITTEN PERMISSION OF COMBILIFT LTD
 IS STRICTLY PROHIBITED.





Name: Combi MG PDH - 01

Drawn By: Connor_C

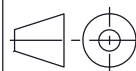
Date: 22/12/2023

Description:

PDH

Qty: 1

Sheet3 off 6



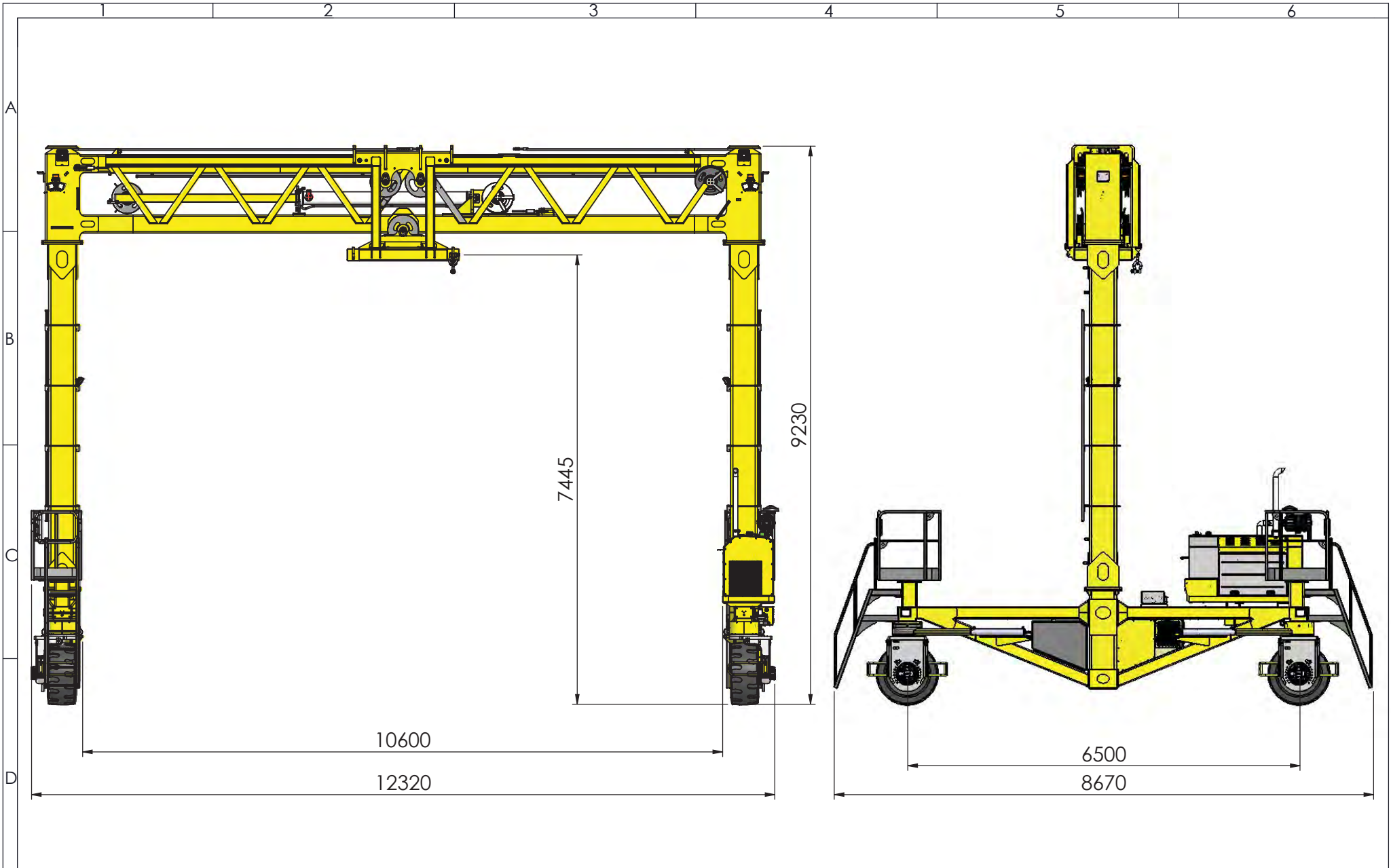
All Dimensions:
mm



Scale: N.T.S.

PROPRIETARY & CONFIDENTIAL
THE INFORMATION CONTAINED IN THIS
DRAWING IS THE SOLE PROPERTY OF
COMBILIFT LTD. ANY REPRODUCTION IN
PART OR AS A WHOLE WITHOUT THE
WRITTEN PERMISSION OF COMBILIFT LTD
IS STRICTLY PROHIBITED.

COMBILIFT
LIFTING INNOVATION



Name: Combi MG PDH - 01
 Drawn By: Connor_C
 Date: 22/12/2023

Description:
 PDH
 Qty: 1

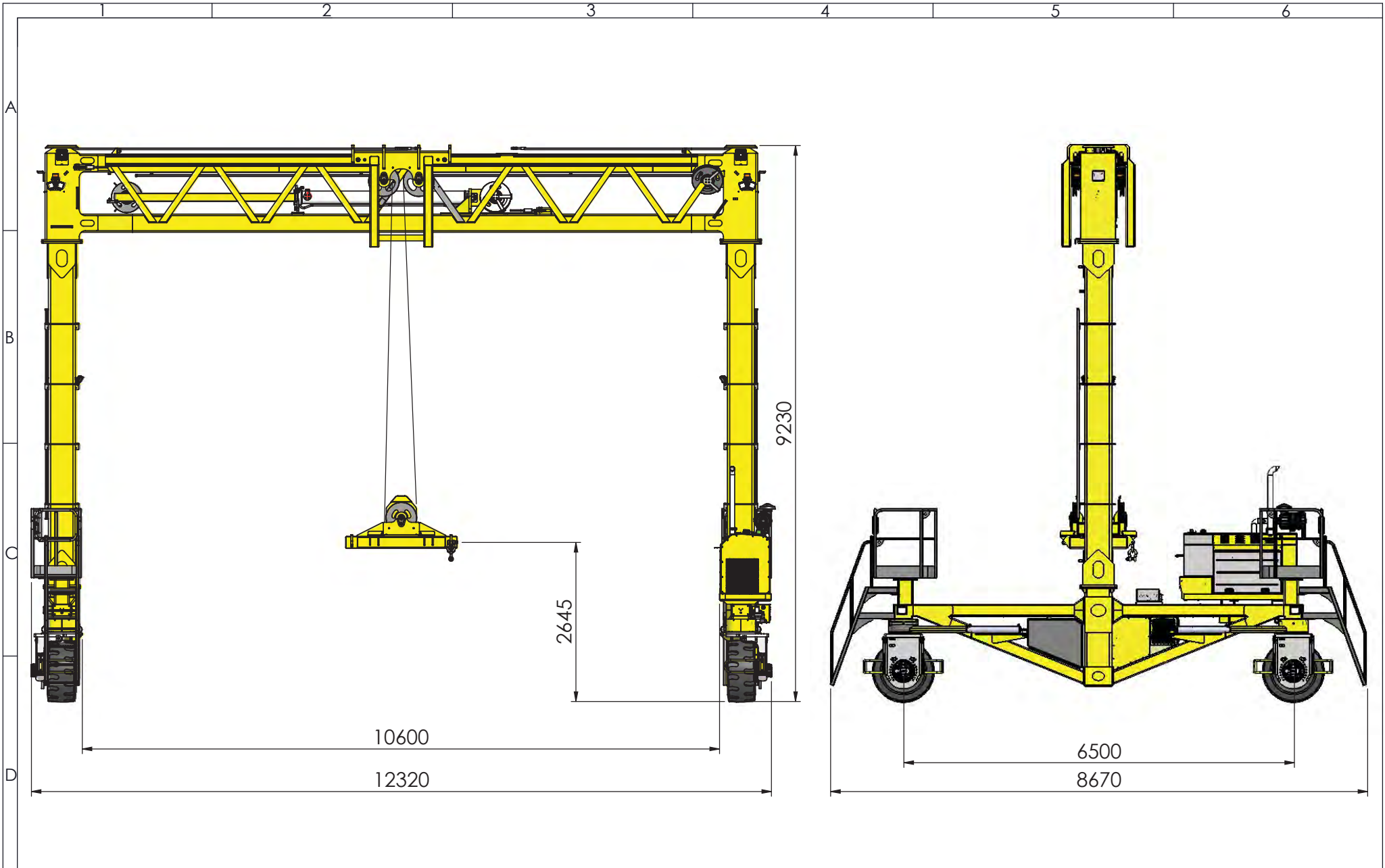
Sheet 4 off 6

All Dimensions:
 mm



Scale: N.T.S.
 PROPRIETARY & CONFIDENTIAL
 THE INFORMATION CONTAINED IN THIS
 DRAWING IS THE SOLE PROPERTY OF
 COMBILIFT LTD. ANY REPRODUCTION IN
 PART OR AS A WHOLE WITHOUT THE
 WRITTEN PERMISSION OF COMBILIFT LTD
 IS STRICTLY PROHIBITED.





Name: Combi MG PDH - 01
 Drawn By: Connor_C
 Date: 22/12/2023

Description:
 PDH
 Qty: 1

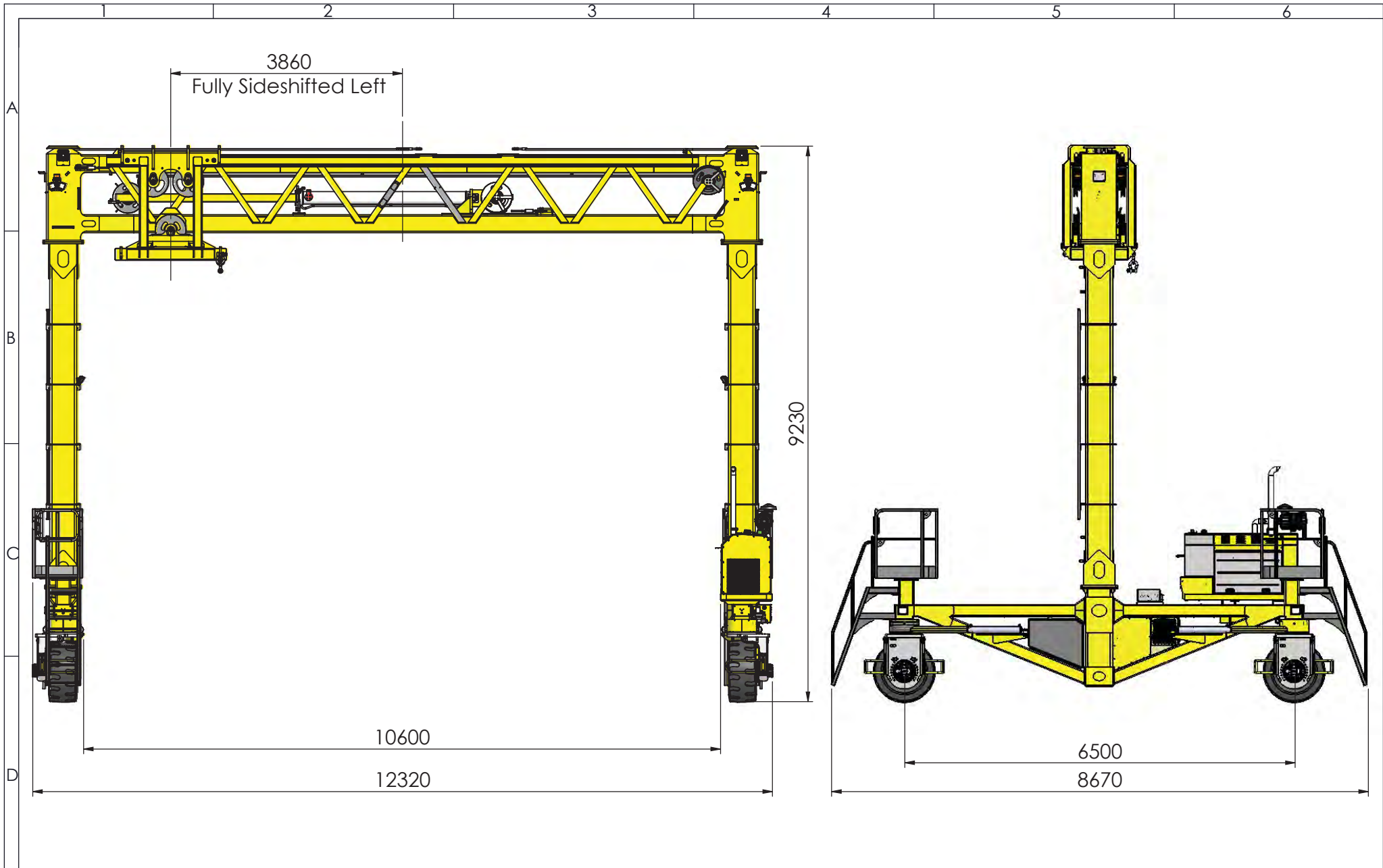
Sheet 5 off 6

All Dimensions:
 mm



Scale: N.T.S.
 PROPRIETARY & CONFIDENTIAL
 THE INFORMATION CONTAINED IN THIS
 DRAWING IS THE SOLE PROPERTY OF
 COMBILIFT LTD. ANY REPRODUCTION IN
 PART OR AS A WHOLE WITHOUT THE
 WRITTEN PERMISSION OF COMBILIFT LTD
 IS STRICTLY PROHIBITED.





Name: Combi MG PDH - 01
 Drawn By: Connor_C
 Date: 22/12/2023

Description:
 PDH
 Qty: 1

Sheet 6 off 6

All Dimensions:
 mm



Scale: N.T.S.
 PROPRIETARY & CONFIDENTIAL
 THE INFORMATION CONTAINED IN THIS
 DRAWING IS THE SOLE PROPERTY OF
 COMBILIFT LTD. ANY REPRODUCTION IN
 PART OR AS A WHOLE WITHOUT THE
 WRITTEN PERMISSION OF COMBILIFT LTD
 IS STRICTLY PROHIBITED.

